

# Data Sheet

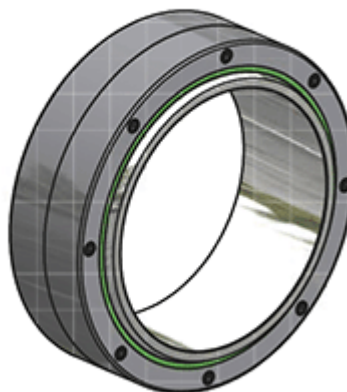
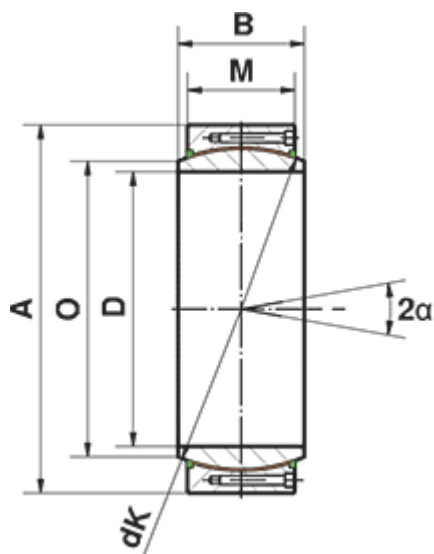


Article number: 03447380

Description: Fluro Heavy Duty Spherical Plain Bearing GE 380 CW  
Hole  $\varnothing$ 380

Note: 380

## Measures



= -	D	= 380
= -	dK	= 450
= -	Dynamic load C (kN)	= 21475
= -	M	= 160
= -	O	= 407.9
A	= 520	Static load C0 (kN) = 35795
a (degrees)	= 4.1	Weight (g) = 124.5
B	= 190	